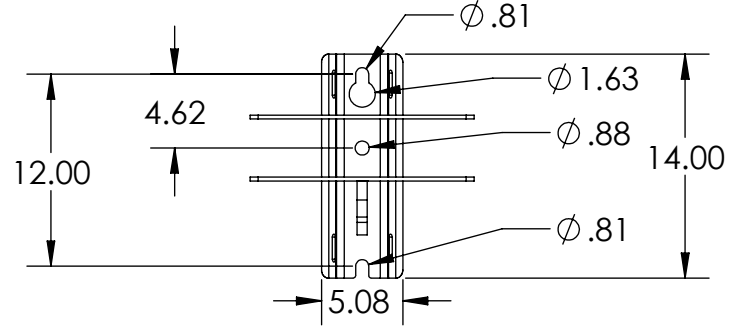


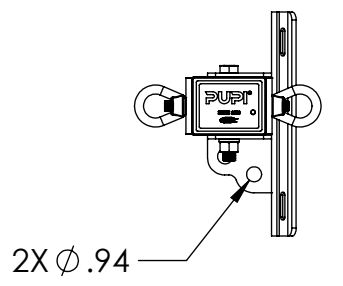
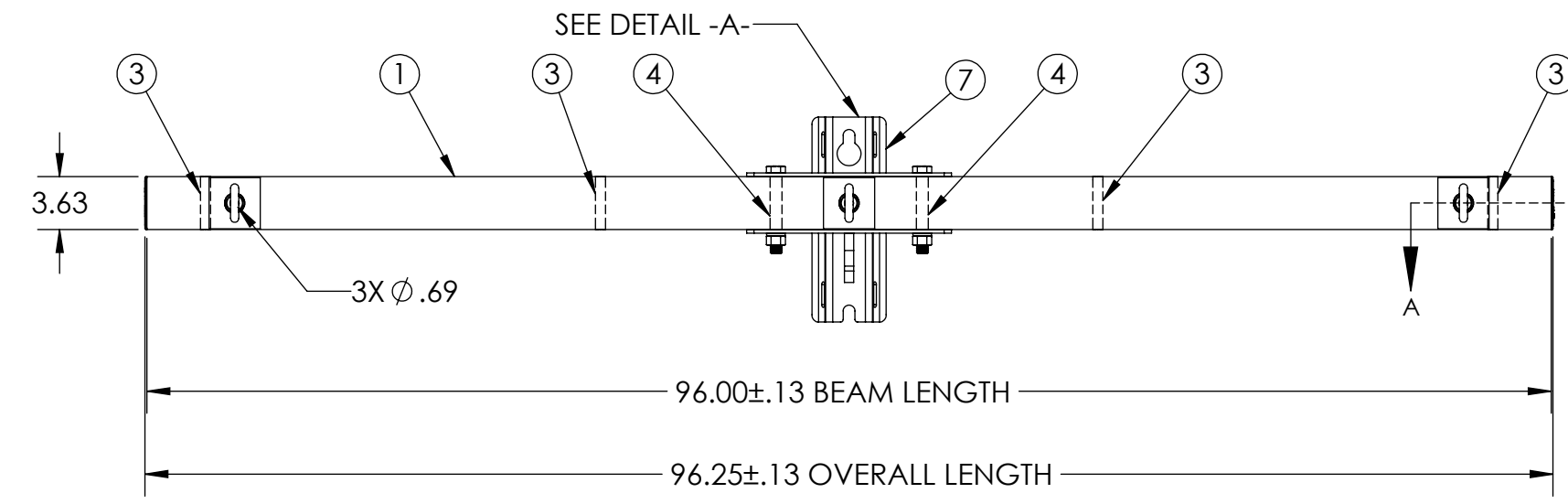
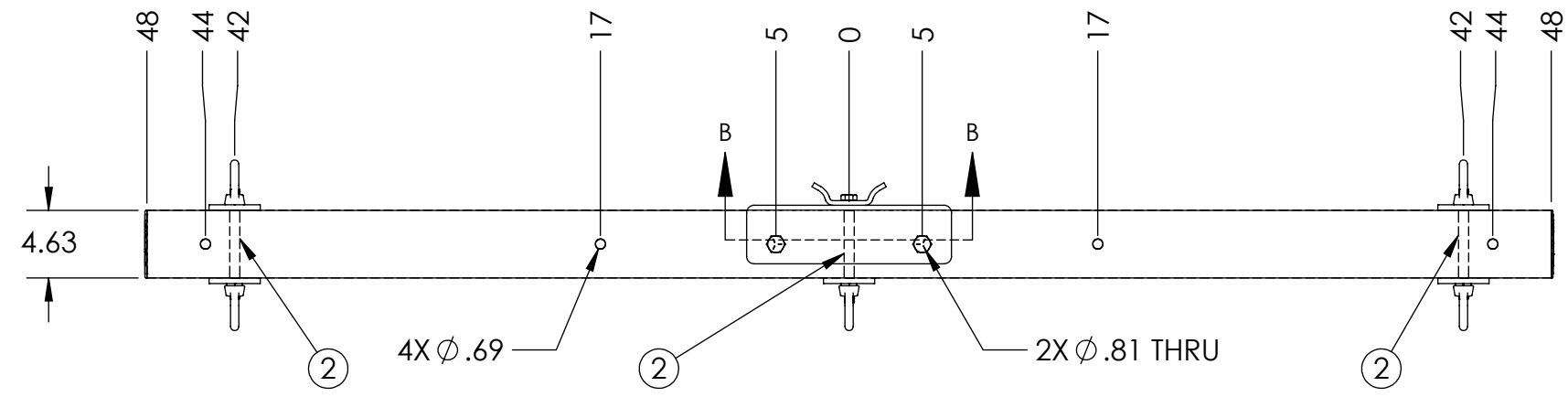
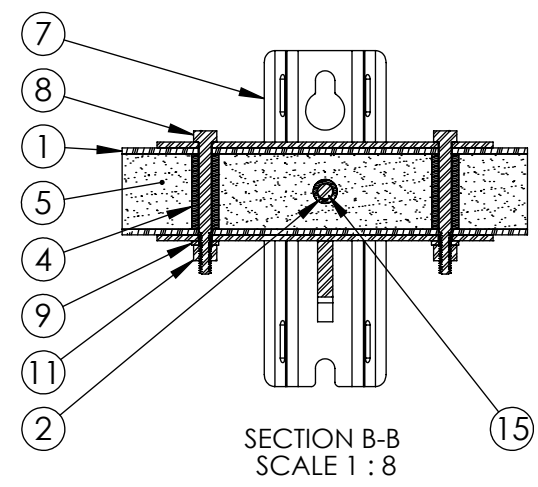
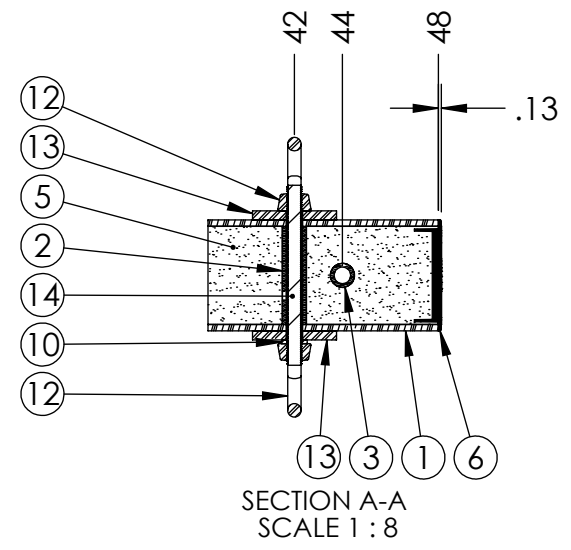
ITEM NO.	PART NUMBER	DESCRIPTION	DESCRIPTION 2	QTY
1	FB-096-2500-2	BEAM, PULTRUDED STOCK	SERIES 2500 x 96 in, GRAY	1
2	TG0688-0003	BUSHING	11/16 in x 4-1/16 in	3
3	TG0688-0004	BUSHING	11/16 in x 3-1/8 in	4
4	TG0813-0006	BUSHING	13/16 in x 3-1/8 in	2
5	FOAM	-	-	1
6	EC25-0003-2	END CAP	SERIES 2500, GRAY	2
7	DM-0033	MOUNT ASSEMBLY, DEADEND	HDLH	1
8	HB0750-0001	HEX BOLT	3/4 in - 10 x 5-1/2 in	2
9	LW0750-0001	LOCK WASHER	3/4 in	2
10	LW0625-0004	LOCK WASHER	5/8 in	3
11	HN0750-0001	HEX NUT	3/4 in - 10	2
12	EN0625-0003	EYE NUT	5/8 in - 11	5
13	SW0688-0037	SQUARE WASHER	11/16 in, 3-1/2 in x 3/8 in	5
14	TR0625-0001	THREADED ROD	5/8 in - 11 x 7-1/2 in	2
15	HB0625-0023	HEX BOLT	5/8 in - 11 x 7 in	1



REVISIONS				
ECO	REV.	DESCRIPTION	DATE	INITIALS



DETAIL -A-



- NOTES:
- CENTER OF MOUNT HOLE(S) TO HOLES TOLERANCE  $\pm 0.06$
  - CALCULATED AVERAGE ULTIMATE VERTICAL LOAD = 4,750 LBS PER WIRE, 3 WIRES
  - CALCULATED AVERAGE ULTIMATE LONGITUDINAL LOAD = 8,500 LBS PER WIRE, 3 WIRES
  - GEOTEK RECOMMENDS MAXIMUM APPLIED LOAD PER WIRE DOES NOT EXCEED 50% OF THE AVERAGE ULTIMATE STRENGTH PER WIRE OF THE CROSSARM.

**---UNLESS OTHERWISE SPECIFIED---**  
 DIMENSIONS ARE IN INCHES  
 INTERPRET DIM AND TOL PER ASME Y14.5-2009  
 ANGULAR: MACH  $\pm 2^\circ$   
 BEND  $\pm 2^\circ$   
 ONE PLACE DECIMAL  $\pm 0.1$   
 TWO PLACE DECIMAL  $\pm 0.02$

STATE: RELEASED 2024-04-17  
 DRAWN: STK 2024-01-08  
 CHECKED: NDH 2024-01-08  
 APPROVED: NDH 2024-04-17  
 REPLACES: -

THIRD ANGLE PROJECTION

**-REFERENCES-**  
 pupicrossarms.com/warranty  
 geotek.com/termsandconditions

CUSTOMER SIGNATURE: \_\_\_\_\_ DATE: \_\_\_\_\_

**GEOTEK**  
*A Whole New World of Composites*

1421 SECOND AVE NW  
 STEWARTVILLE, MN 55976  
 (800) 533-1680  
 www.geotek.com

DESCRIPTION:  
**DEADEND ASSEMBLY, SERIES 2500  
 96 in, CUSTOM SPECIFICATION**

SIZE: DWG. NO. **B DA2500096E31512**  
 BEAM COLOR: **GRAY**  
 REV: **0.0**

SCALE: 1:12 | WEIGHT: 57 LBS | SHEET 1 OF 1